

McCOWEL **65**SERIES



POWER ARM  
**65** SERIES

- PA5565 - 5.5m (18'1") reach
- PA6065 - 6.0m (19'8") reach
- PA6565T - 6.5m (21'4") reach
- PA7065T - 7.0m (23'0") reach

## 65 SERIES

| Advanced Controls                                  | PA5565                   | PA6065                   | PA6565T                  | PA7065T                  |
|--|--------------------------|--------------------------|--------------------------|--------------------------|
| Cable Control                                      | —                        | —                        | —                        | —                        |
| Motion Mini  | —                        | —                        | —                        | —                        |
| Motion   | <input type="checkbox"/> | <input type="checkbox"/> | <input type="checkbox"/> | <input type="checkbox"/> |
| Evolution  | <input type="checkbox"/> | <input type="checkbox"/> | <input type="checkbox"/> | <input type="checkbox"/> |
| Revolution Including Easy Drive System (EDS)       | <input type="checkbox"/> | <input type="checkbox"/> | <input type="checkbox"/> | <input type="checkbox"/> |
| Two-way Rotor Engagement - Cable Control (CRC)     | —                        | —                        | —                        | —                        |
| Two-way Rotor Engagement - Electric Control (ERC)* | ■                        | ■                        | ■                        | ■                        |
| <b>Mounting</b>                                    |                          |                          |                          |                          |
| Front 3-Point Mounting Including Stabiliser        | —                        | —                        | —                        | —                        |
| Front DIN Plate Mounting                           | —                        | —                        | —                        | —                        |
| Rear 3-Point Mounting Including Stabiliser         | ■                        | ■                        | ■                        | ■                        |
| Rear 3-Point to 4-Point Hitch Stabiliser Kit       | <input type="checkbox"/> | <input type="checkbox"/> | <input type="checkbox"/> | <input type="checkbox"/> |
| Rear 3-Point to 5-Point Axle Mounting Kit**        | <input type="checkbox"/> | <input type="checkbox"/> | <input type="checkbox"/> | <input type="checkbox"/> |
| Rear 5-Point Rigid Frame, Axle Mounting Kit**      | —                        | —                        | —                        | —                        |
| <b>Armsets</b>                                     |                          |                          |                          |                          |
| Straight Armset                                    | <input type="checkbox"/> | <input type="checkbox"/> | —                        | —                        |
| Midcut Armset                                      | —                        | —                        | —                        | —                        |
| Telescopic Armset                                  | —                        | —                        | ■                        | ■                        |
| Variable Forward Reach Armset (VFR)                | <input type="checkbox"/> | <input type="checkbox"/> | —                        | —                        |
| Telescopic-Variable Forward Reach Armset (T-VFR)   | —                        | —                        | —                        | —                        |
| Parallel Arm Geometry                              | ■                        | ■                        | ■                        | ■                        |
| <b>Hydraulics</b>                                  |                          |                          |                          |                          |
| Horsepower   | 65hp                     | 65hp                     | 65hp                     | 65hp                     |
| System Type  | Gear                     | Gear                     | Gear                     | Gear                     |
| Pump Type  | Cast                     | Cast                     | Cast                     | Cast                     |
| Total Flow Rate l/min                              | 153.3                    | 153.3                    | 153.3                    | 153.3                    |
| Arm Circuit Flow Rate l/min                        | 25.0                     | 25.0                     | 25.0                     | 25.0                     |
| Attachment Circuit Flow Rate l/min                 | 128.0                    | 128.0                    | 128.0                    | 128.0                    |
| Oil Tank Capacity                                  | 180ltrs                  | 180ltrs                  | 180ltrs                  | 180ltrs                  |
| Oil Cooler   | ■                        | ■                        | ■                        | ■                        |
| Totally Independent Hydraulic System               | ■                        | ■                        | ■                        | ■                        |
| <b>Hydraulic Upgrades</b>                          |                          |                          |                          |                          |
| Angle Float Kit                                    | <input type="checkbox"/> | <input type="checkbox"/> | <input type="checkbox"/> | <input type="checkbox"/> |
| Lift Float Kit                                     | <input type="checkbox"/> | <input type="checkbox"/> | <input type="checkbox"/> | <input type="checkbox"/> |
| Advanced Float Kit (only on EVOLUTION controls)    | <input type="checkbox"/> | <input type="checkbox"/> | <input type="checkbox"/> | <input type="checkbox"/> |
| EDS (only on REVOLUTION controls)                  | <input type="checkbox"/> | <input type="checkbox"/> | <input type="checkbox"/> | <input type="checkbox"/> |
| PowerBoost (75 l/min Arm Circuit Flow Rate)        | —                        | —                        | —                        | —                        |
| Additional Hydraulic Services                      | <input type="checkbox"/> | <input type="checkbox"/> | <input type="checkbox"/> | <input type="checkbox"/> |
| <b>Safety Equipment</b>                            |                          |                          |                          |                          |
| External Debris Blower                             | <input type="checkbox"/> | <input type="checkbox"/> | <input type="checkbox"/> | <input type="checkbox"/> |
| Integrated Debris Blower                           | —                        | —                        | —                        | —                        |
| Road Lighting Kit                                  | ■                        | ■                        | ■                        | ■                        |
| Warning Arrow Kit                                  | <input type="checkbox"/> | <input type="checkbox"/> | <input type="checkbox"/> | <input type="checkbox"/> |
| Window Guards                                      | ■                        | ■                        | ■                        | ■                        |
| Cab Protection Kit                                 | <input type="checkbox"/> | <input type="checkbox"/> | <input type="checkbox"/> | <input type="checkbox"/> |
| Safety Breakaway                                   | ■                        | ■                        | ■                        | ■                        |
| Power Slew   | ■                        | ■                        | ■                        | ■                        |
| Cushioned Top Link                                 | ■                        | ■                        | ■                        | ■                        |
| <b>Tractor Requirements</b>                        |                          |                          |                          |                          |
| Minimum Tractor Weight                             | 4,000kg                  | 4,000kg                  | 4,500kg                  | 5,000kg                  |
| Minimum Tractor Horsepower                         | 80hp                     | 80hp                     | 80hp                     | 80hp                     |
| <b>Specification</b>                               |                          |                          |                          |                          |
| Machine Weight #                                   | 1120kg                   | 1152kg                   | 1238kg                   | 1275kg                   |
| Left and Right-Hand Build Options                  | <input type="checkbox"/> | <input type="checkbox"/> | <input type="checkbox"/> | <input type="checkbox"/> |

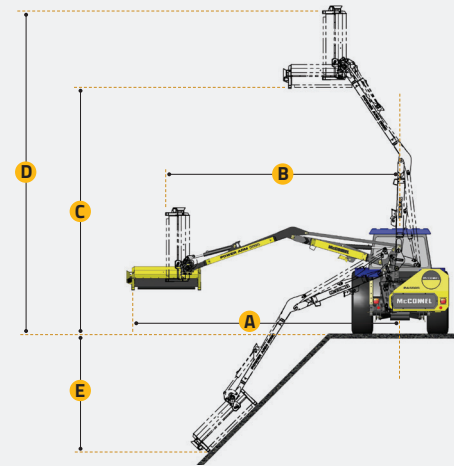
\* Including SoftStart \*\* Excluding axle brackets & latches # Depending on specification, excluding attachment & oil

## McCormel 65 SERIES

Created for contractors and local government, the 65-series has the reach and power to tackle extensive verge-mowing and hedge-cutting duties. It also comes with a choice of advanced new control systems; Variable Forward Reach; and Twincut, the world's first dual rotor flailhead.

Built to last from super-strength Domex steel, 65-series machines are extremely robust and feature such enhancements as SoftStart rotor engagement, hydraulic safety breakaway, and a cushioned top link for increased longevity.

- 4 Reach options from 5.5m to 7.0m
- 3 Advanced control options
- 3 Mounting options
- 3 Armset options
- 4 Floatation services
- 27 Attachment options



### REACH DIMENSIONS

|   | PA5565        | PA6065        | PA6565T       | PA7065T       |
|---|---------------|---------------|---------------|---------------|
| A | 5.5m / 18' 1" | 6.0m / 19' 8" | 6.5m / 21' 4" | 7.0m / 23' 0" |
| B | 4.9m / 16' 1" | 5.4m / 17' 9" | 5.9m / 19' 4" | 6.4m / 21' 0" |
| C | 5.3m / 17' 5" | 5.7m / 18' 8" | 5.7m / 18' 8" | 6.1m / 19' 9" |
| D | 6.7m / 22' 0" | 7.1m / 23' 4" | 7.1m / 23' 4" | 7.1m / 23' 4" |
| E | 2.4m / 7' 10" | 2.8m / 9' 2"  | 3.2m / 10' 8" | 3.5m / 11' 6" |

### POWER ARM FLAILHEADS

|                               | PA5565                   | PA6065                   | PA6565T                  | PA7065T                  |
|-------------------------------|--------------------------|--------------------------|--------------------------|--------------------------|
| 1.00m Supercut Flailhead - DD | —                        | —                        | —                        | —                        |
| 1.20m Supercut Flailhead - DD | —                        | —                        | —                        | —                        |
| 1.20m Multicut Flailhead - DD | <input type="checkbox"/> | <input type="checkbox"/> | <input type="checkbox"/> | <input type="checkbox"/> |
| 1.20m Multicut Flailhead - BD | <input type="checkbox"/> | <input type="checkbox"/> | <input type="checkbox"/> | <input type="checkbox"/> |
| 1.20m Tuffcut Flailhead - DD  | —                        | —                        | —                        | —                        |
| 1.20m Twincut Flailhead - DD  | <input type="checkbox"/> | <input type="checkbox"/> | —                        | —                        |
| 1.20m Omega Flailhead - DD    | <input type="checkbox"/> | <input type="checkbox"/> | <input type="checkbox"/> | <input type="checkbox"/> |
| 1.20m Omega Flailhead - BD    | <input type="checkbox"/> | <input type="checkbox"/> | <input type="checkbox"/> | <input type="checkbox"/> |
| 1.50m Multicut Flailhead - DD | <input type="checkbox"/> | <input type="checkbox"/> | <input type="checkbox"/> | <input type="checkbox"/> |
| 1.50m Multicut Flailhead - BD | <input type="checkbox"/> | <input type="checkbox"/> | <input type="checkbox"/> | <input type="checkbox"/> |
| 1.50m Twincut Flailhead - DD  | —                        | —                        | —                        | —                        |
| 1.50m Omega Flailhead - DD    | <input type="checkbox"/> | <input type="checkbox"/> | <input type="checkbox"/> | <input type="checkbox"/> |
| 1.50m Omega Flailhead - BD    | <input type="checkbox"/> | <input type="checkbox"/> | <input type="checkbox"/> | <input type="checkbox"/> |
| 1.60m Multicut Flailhead - DD | <input type="checkbox"/> | <input type="checkbox"/> | —                        | —                        |
| 1.60m Multicut Flailhead - BD | <input type="checkbox"/> | <input type="checkbox"/> | —                        | —                        |
| 1.60m Tuffcut Flailhead - DD  | —                        | —                        | —                        | —                        |
| 1.60m Omega Flailhead - DD    | <input type="checkbox"/> | <input type="checkbox"/> | —                        | —                        |
| 1.60m Omega Flailhead - BD    | <input type="checkbox"/> | <input type="checkbox"/> | —                        | —                        |
| 2.00m Multicut Flailhead - DD | —                        | —                        | —                        | —                        |
| 2.00m Multicut Flailhead - BD | —                        | —                        | —                        | —                        |
| <b>Flailhead options</b>      |                          |                          |                          |                          |
| Flailhead Skid Kit            | <input type="checkbox"/> | <input type="checkbox"/> | <input type="checkbox"/> | <input type="checkbox"/> |
| Cushioned Grass Mowing Roller | <input type="checkbox"/> | <input type="checkbox"/> | <input type="checkbox"/> | <input type="checkbox"/> |
| Hydraulic Roller              | <input type="checkbox"/> | <input type="checkbox"/> | <input type="checkbox"/> | <input type="checkbox"/> |
| Hydraulic Front Hood          | —                        | —                        | —                        | —                        |

■ Standard Equipment □ Optional Equipment — Not available

